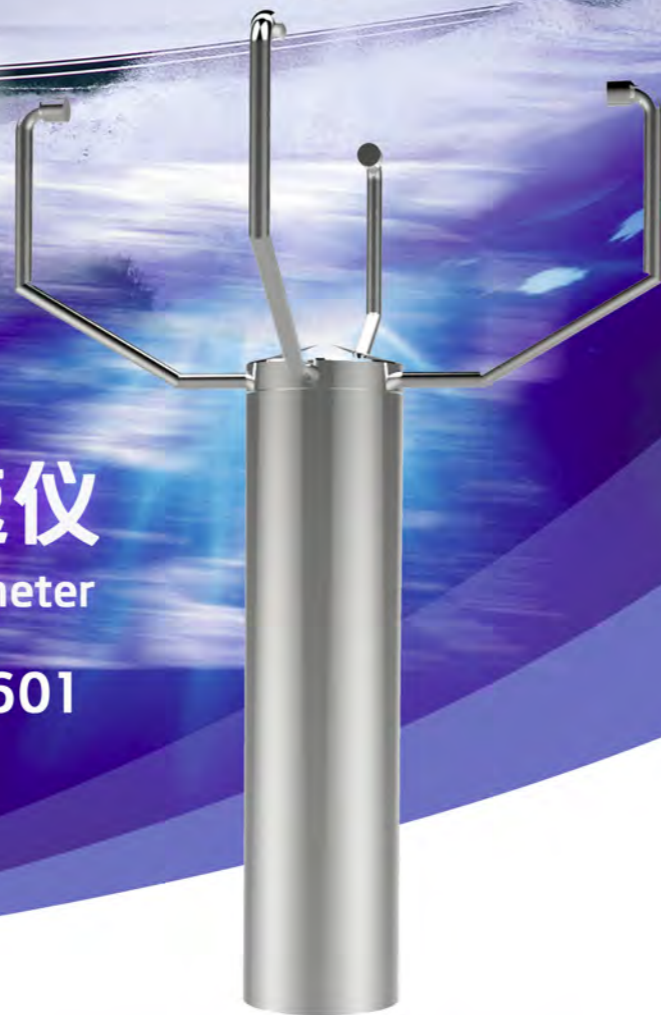


Explorer



超声波风向和风速仪

Ultrasonic Wind Vane and Anemometer

ST-1601



系统配置 (Configuration)

传感器 Sensor	ST-1601	LED 显示器 Display Unit	ST-1600
安装服务 (可选) Install Service (Option)		延长线 (定制) Extension cable (Customization)	传感器支架 Mounting brackets

PRODUCT FEATURES 产品功能

- ▶ 可全天候工作, 不受暴雨、冰雪、霜冻天气的影响
Work 24/7 and not affected by the weather (such as heavy rain, snow, frost)
- ▶ 测量精度高, 性能稳定
High measurement accuracy and stable performance
- ▶ 结构坚固, 仪器抗腐蚀性强, 在安装和使用时无需担心损坏
Strong structure, strong corrosion resistance, no need to worry about damage during installation and use
- ▶ 设计灵活, 轻巧, 携带轻便, 安装、拆卸容易, 不需维护和现场校准
Flexible design, light weight, easy to carry, easy to install and disassemble, no maintenance and no need for on-site calibration

SPECIFICATIONS 性能指标

功能性能(Function)

风速范围	0-50m/s
Speed range	0-50m/s
角度范围	0-360°
Angle range	0-360°
起步风速	≤0.5m/s
Start speed	≤0.5m/s
精度	±0.3m/s (<100m/s), ±3%, (10-30m/s), ±5% (>30m/s)
Accuracy	±0.3m/s (<100m/s), ±3%, (10-30m/s), ±5% (>30m/s)

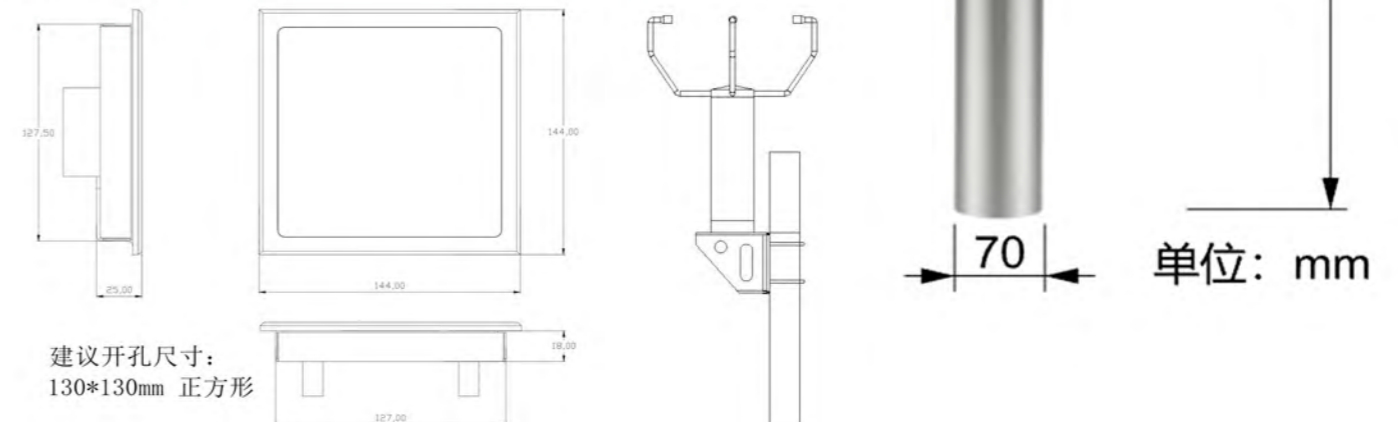
接口、协议(Interface、Protocol)

工作电压	直流24V
PWR suply	24VDC
输出接口	RS485
Interface	RS485
输入数据	RMC (ST-1600)
Input	RMC (ST-1600)
数据协议	NMEA0183
Protocol	NMEA0183

工作环境 (Environmental requirement)

温度	显示器 -15°C~+55°C (ST-1600)
TEMP	Display Unit -15°C~+55°C (ST-1600)
	传感器 -25°C~+55°C (ST-1601)
	Sensor -25°C~+55°C (ST-1601)
IP 等级	主机 IP56 (前面) / IP22 (背面)
IP level	Host IP56 (Front) / IP22 (Back)
	传感器 IP67 (不能浸水工作)
	Sensor IP67 (Cannot work underwater)

DIMENSIONS 产品尺寸



单位: mm

单位: 毫米
UNIT: mm